

⚠️ WARNING ⚠️ IMPORTANT SAFETY INFORMATION

Improper installation and use of Wall Pad Large Cutout Trim Kit can result in serious injury or death.

1. Read and follow product installation guidelines thoroughly and carefully. Failure to do so could cause product to not perform as intended or otherwise fail which could cause serious injury or death.
2. Gymnasium wall padding should be located on any hard surface a player may contact during reasonable play. Large obstructions, around which this product is typically used, should be located to minimize the chance of contact during reasonable play.
3. When using knives to install this product, follow standard safety procedures: Always cut away from the body and properly store knives when not in use.
4. When using saws and staplers to install this product, follow equipment manufacturers' standard safety procedures and be cautious of blades and other moving parts. Always utilize appropriate safety equipment, including safety glasses and hearing protection.
5. If using optional adhesives, follow product safety procedures: Do not use near flame or fire, use adequate ventilation, avoid prolonged breathing of vapors/fumes, and avoid contact with skin and eyes.

TOOLS REQUIRED



Pencil, Pen or Marker



Measuring Tape or Ruler



Straight Edge or Framing Square



Sharp Utility or Similar Knife



Key Hole Saw or Jig Saw



Vinyl Adhesive (RH Products 66 or similar)

Section 1 - Installation Instructions

1. Locate cut-out on back side of pad and carefully mark the inside dimensions of cutout. Now mark a second set of lines $\frac{1}{2}$ " (12 mm) outside of the inside diameter of the cut out to allow for the thickness of the cut-out kit.
2. Using a keyhole saw or jigsaw, cut along second marked lines with saw and remove backer board.
3. Using saw or sharp utility knife, carefully cut and remove the foam using the opening in the backer board as a guide. Use caution to not cut vinyl.
4. X-cut vinyl from corner to corner. Fold vinyl back and staple to wall pad backer board. Trim off excess vinyl using sharp utility knife.
5. Determine proper combination of inside corners, outside corners and strips necessary corners to length as needed and assemble sections using 504698 splices.
6. Insert Large Wall Pad Cutout kit pieces into opening with splices inserted into the molded tracks between sections. Sections should be installed with the thicker beveled lip facing the front of the pad. Staple through the rear flange to secure the cutout to the wall pad backer board.

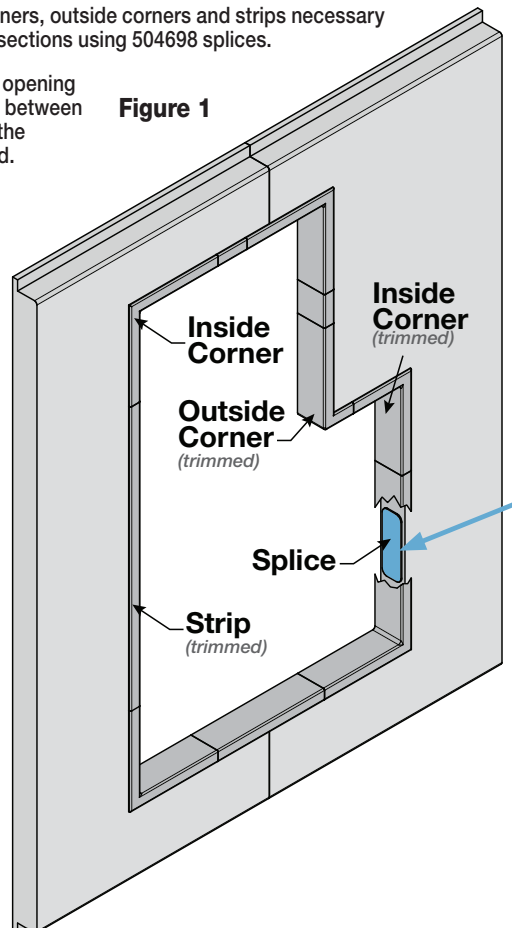


Figure 1

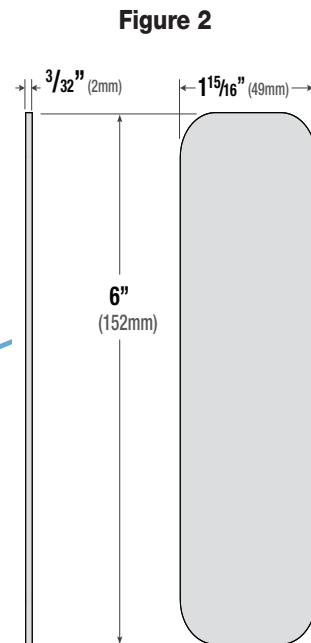


Figure 2

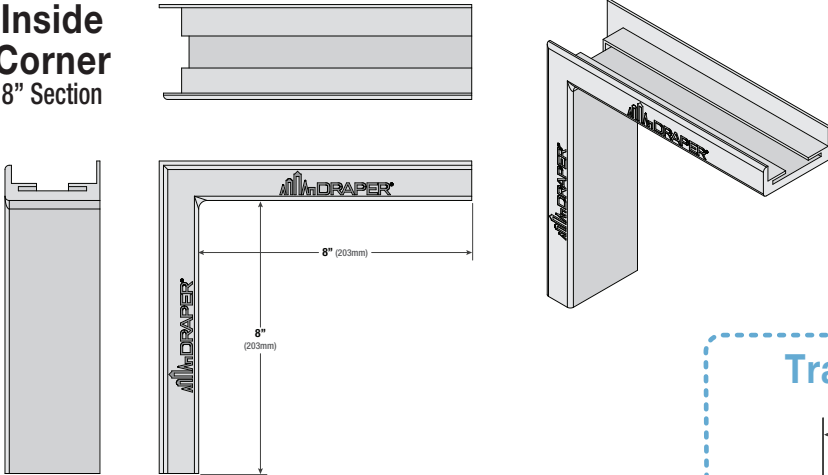
504698 - Splice

Please Note: If a more secure installation is desired, you can apply a good quality vinyl adhesive to the edge of the cut-out kit that is not exposed to secure it to folded vinyl on the edge of the opening. Use caution to not get adhesive on exposed surfaces.

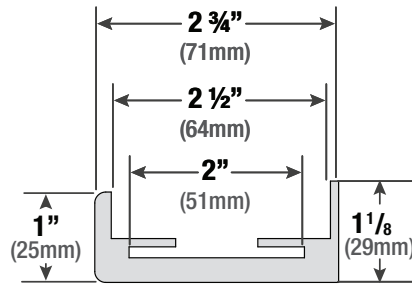
If you have any difficulties installing or servicing your Wall Pad Large Cutout Trim Kit, call your dealer or Draper, Inc.

Section 2 - Component Dimensions

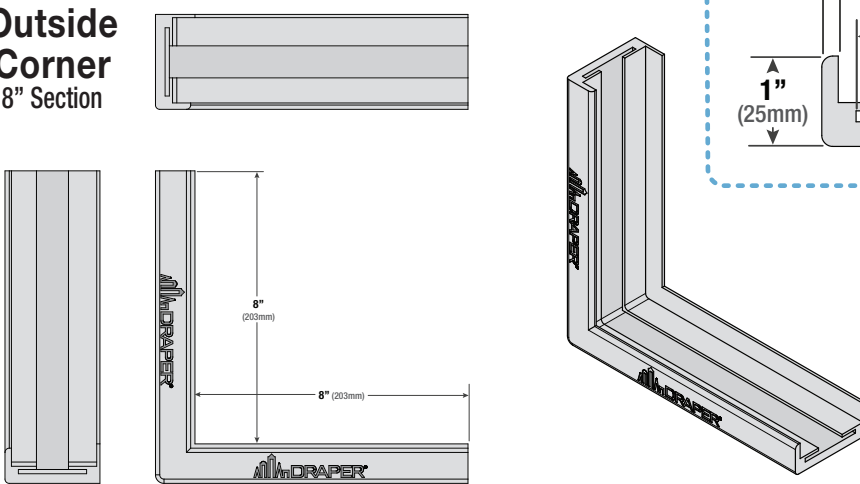
Inside Corner 8" Section



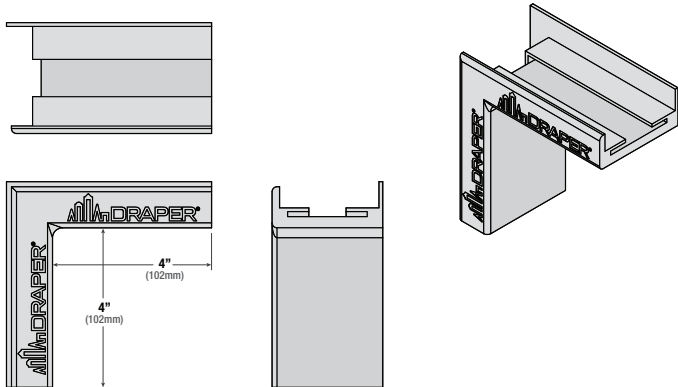
Track Dimensions



Outside Corner 8" Section



Inside Corner 4" Section



Straight 30" Section

